



Vegetable Slicer TR260 Vegetable Slicer - 1 Speed

ITEM # _____

MODEL # _____

NAME # _____

SIS # _____

AIA # _____



Paddle



603429 (DTR260FIV)

Universal vegetable slicer for catering use, motor unit, ejector included. 1 speed 330 rpm

Short Form Specification

Item No. _____

Universal vegetable slicer for caterers serving 400 to 600 meals/sitting. 1 speed (330 rpm). 1500W self-braking motor. Stainless steel motor housing and aluminium basement. "No volt release" safety device. Touch button control panel with on/off and pulse function. Cutting disc diam. 300mm. Automatic hopper, lever-operated hopper, long vegetable hopper and cabbage hopper available upon request. The touch button control panel has IP65 protection with low voltage level.

APPROVAL: _____

Main Features

- Suitable for up to 600 meals for table service and up to 2000 meals for catering service.
- Vegetable slicer with slicing, grating, shredding (julienne) as well as dicing and French fries cutting capability.
- Continuous feed model.
- Available upon request:
 - Automatic hopper (dia=280 mm), lever-operated hopper, long vegetable hopper (3 tubes) and cabbage hopper.
- Available as option a long vegetable accessory to fit in the lever operated hopper converting it into a long vegetable hopper (3 cylindrical hoppers: 50, 59,5, 70 mm diameter)
- Optional stainless steel mobile stand accessory.
- "No volt release" safety device.
- Complete selection of blades and dicing grids available (diameter 300 mm).
- Magnetic safety system and motor brake. Prevents machine from running when lever swings away or is open.
- Pulse function for precise cutting.

Construction

- Power: 1500 watts.
- 1 speed: 330 rpm
- Stainless steel motor housing with aluminum basement.
- Capacity depending on the hopper:
 - lever hopper: 700kg/h
 - automatic hopper: 2500kg/h

Optional Accessories

- LONG VEG.FEEDING TRAY-CABBAGE HOPPERS PNC 650036
- Stainless steel grating disc for parmesan (dia. 300 mm) PNC 650148
- Stainless steel grating disc for knoedeln (dia. 300 mm) PNC 650149
- Stainless steel grating disc 2 mm (dia. 300 mm) PNC 650150
- Stainless steel grating disc 3 mm (dia. 300 mm) PNC 650151
- Stainless steel grating disc 4 mm (dia. 300 mm) PNC 650152
- Stainless steel grating disc 7 mm (dia. 300 mm) PNC 650153



Vegetable Slicer TR260 Vegetable Slicer - 1 Speed

- Stainless steel grating disc 9 mm (dia. 300 mm) PNC 650154
- Stainless steel cabbage grating disc with central shaft for stem removal 7 mm (to be used with cabbage feed hopper) PNC 650157
- CABBAGE SLICING DISC 1 MM FOR HOPPER PNC 653009
- S/S MOBILE STAND WITH 4 WHEELS (2 FIXED + 2 PIVOTING WITH BRAKE) PNC 653017
- LEVER HOPPER PNC 653036
- AUTOMATIC HOPPER PNC 653037
- LARGE HOPPER FOR TR260 DIAM. 280 MM PNC 653048
- DICING GRID 10 MM PNC 653051
- DICING GRID 16 MM PNC 653052
- DICING GRID 20 MM PNC 653053
- DICING GRID 25 MM PNC 653054
- DICING GRID 32 MM PNC 653055
- SLICING DISC 2 MM PNC 653172
- SLICING DISC 3 MM PNC 653173
- SLICING DISC 1 MM PNC 653188
- SLICING DISC 5 MM PNC 653189
- SLICING DISC 6 MM PNC 653190
- SLICING DISC 8 MM PNC 653191
- SLICING DISC 10 MM PNC 653192
- SLICING DISC 16 MM PNC 653193
- SHREDDING DISC 2X2 MM PNC 653195
- SHREDDING DISC 3X3 MM PNC 653196
- SHREDDING DISC 4X4 MM PNC 653197
- SHREDDING DISC 6X6 MM PNC 653198
- SHREDDING DISC 8X8 MM PNC 653199
- SHREDDING DISC 10X10 MM PNC 653200
- STAINLESS STEEL DISC RACK PNC 653212
- DISC WITH CORRUGATED BLADES 2 MM PNC 653217
- DISC WITH CORRUGATED BLADES 3 MM PNC 653218
- DISC WITH CORRUGATED BLADES 6 MM PNC 653219
- LONG VEGET.ACC.FOR LEVER HOPPER-3TUBES PNC 653223
- S/S TROLLEY FOR GN2/1 TRAYS PNC 653224
- CABBAGE SLICING DISC 2 MM FOR HOPPER PNC 653227
- CABBAGE SLICING DISC 3 MM FOR HOPPER PNC 653228
- DICING GRID 12 MM PNC 653301
- LONG VEGETABLE HOPPER W/3TUBES D.50-70MM PNC 653306

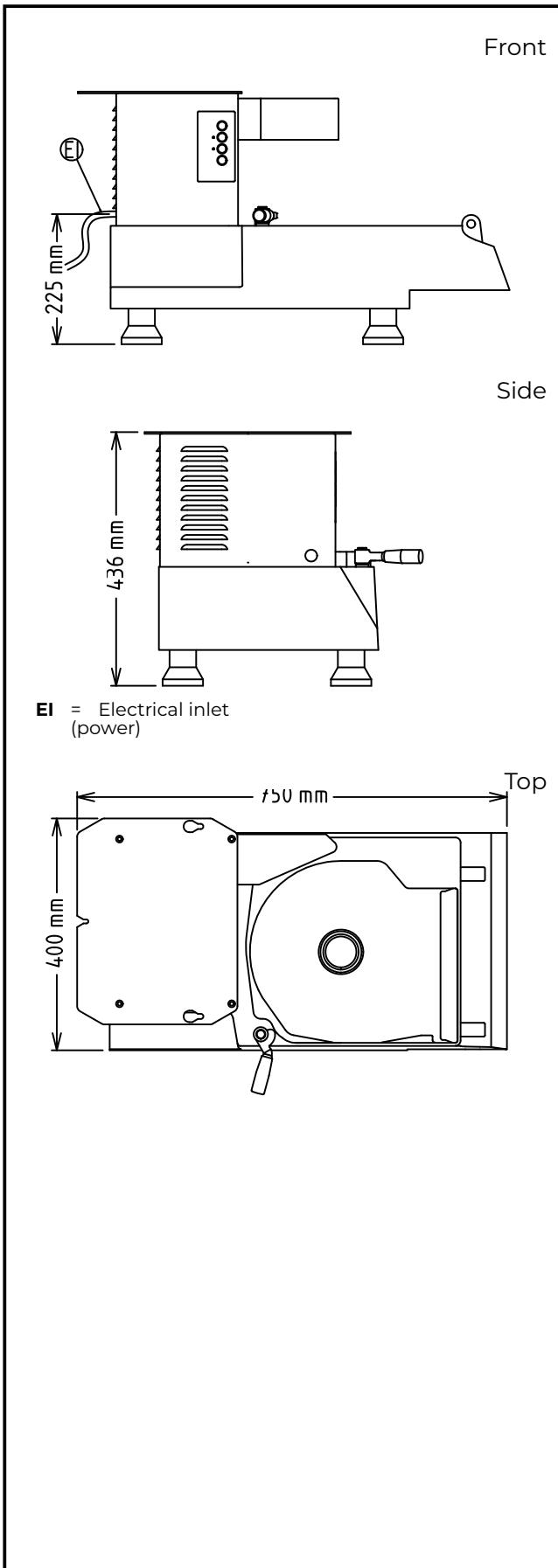


Vegetable Slicer
TR260 Vegetable Slicer - 1 Speed
The company reserves the right to make modifications to the products
without prior notice. All information correct at time of printing.

2026.03.19



Vegetable Slicer TR260 Vegetable Slicer - 1 Speed



Electric

Supply voltage: 220-240 V/1N ph/50 Hz
Electrical power max.: 1.5 kW
Total Watts: 1.5 kW

Capacity:

Performance (up to): 2500 kg/Cycle

Key Information:

External dimensions, Width: 750 mm
External dimensions, Depth: 400 mm
External dimensions, Height: 440 mm
Shipping weight: 60 kg



Vegetable Slicer
TR260 Vegetable Slicer - 1 Speed
The company reserves the right to make modifications to the products
without prior notice. All information correct at time of printing.

2026.03.19